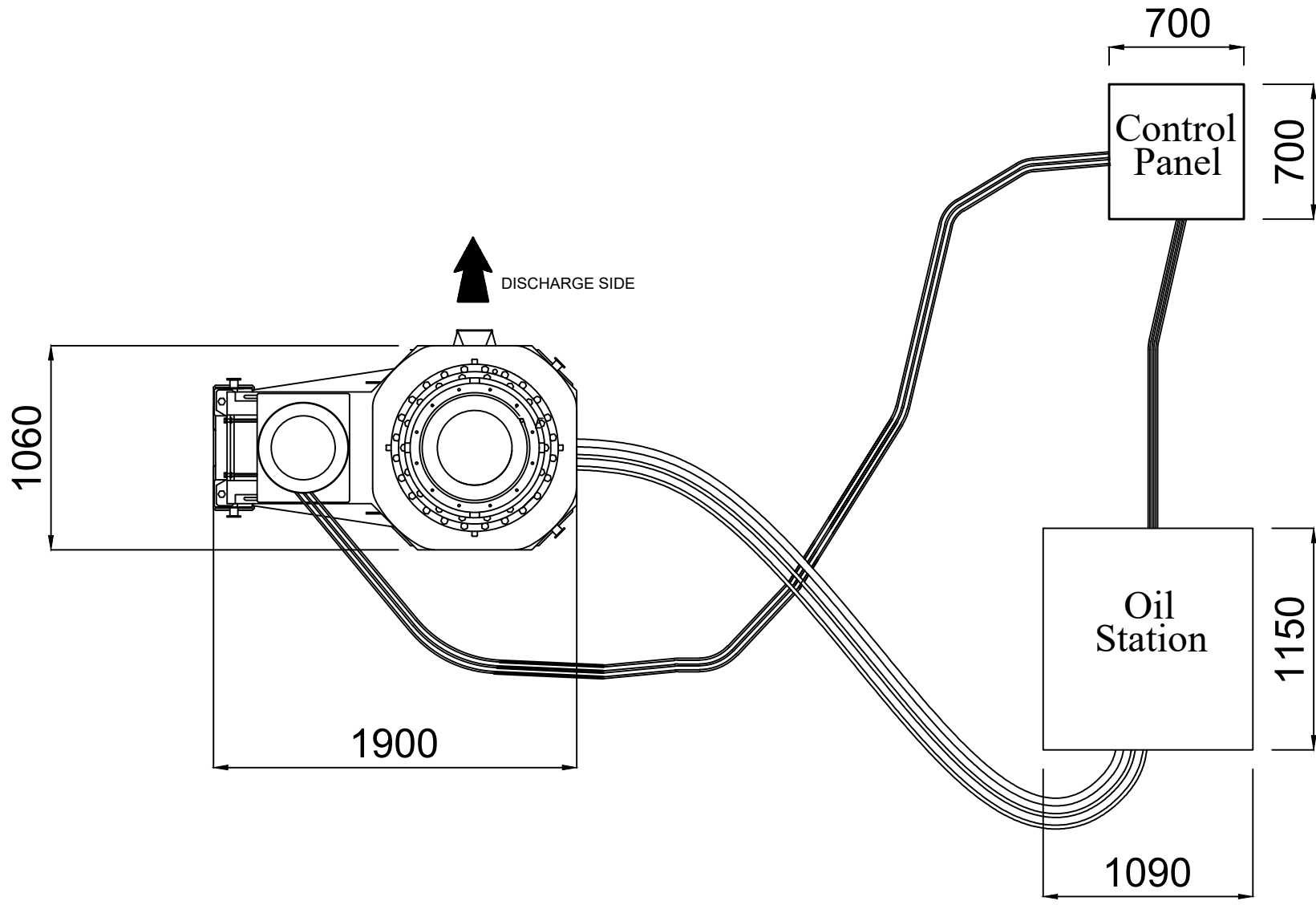


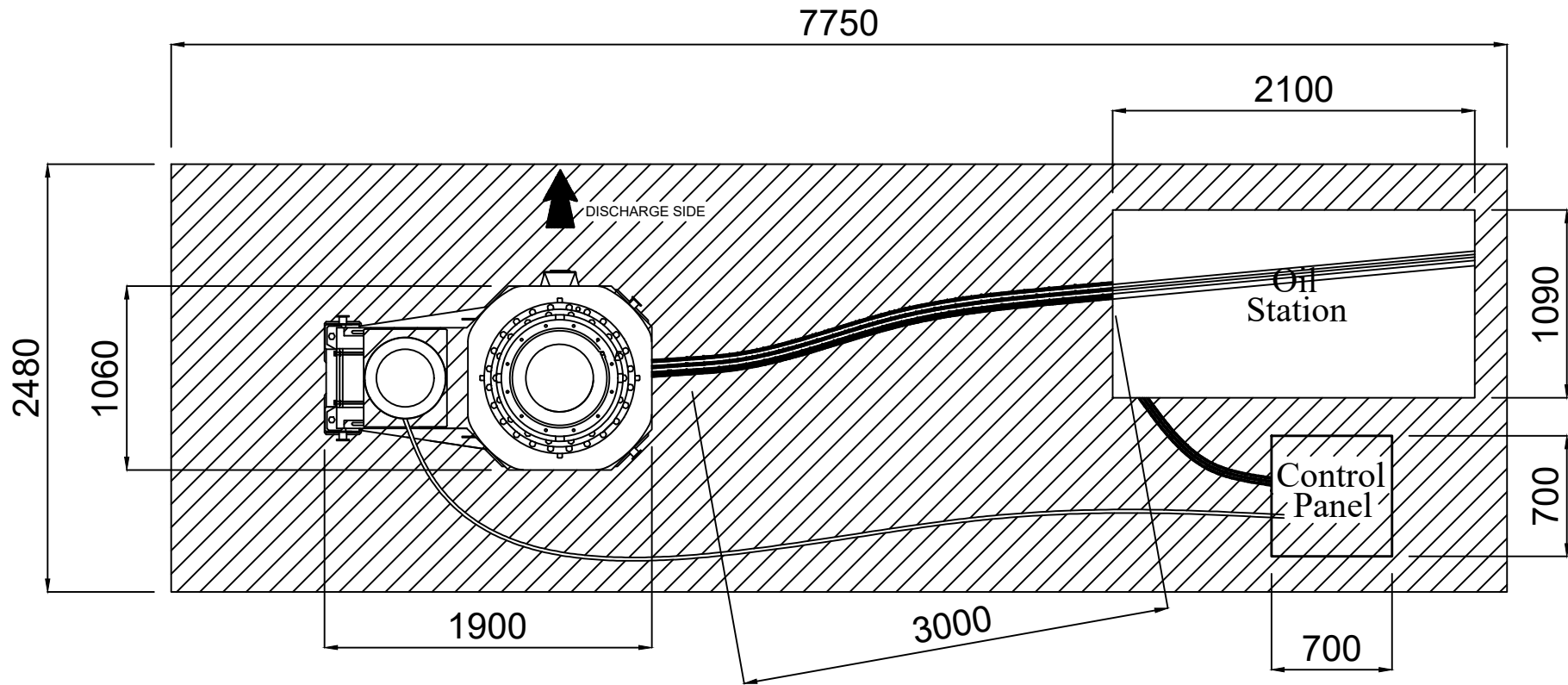
PROJECT: **UC-500 K**

TITLE: **INSTALLATION SCHEME -  
FRONTAL VIEW**



PROJECT: **UC-500 K**

TITLE: **INSTALLATION SCHEME -  
PLAN VIEW**



**TransMicron**  
Mechanical Technologies

PROJECT: **UC-500 K**

TITLE: **INSTALLATION SCHEME -  
PLAN VIEW OVER A TRAILER**